

XDJ-2400G15

2.4GHz Panel Antenna

Technical Sheet



Applications

- 2.4GHz WLAN WIFI system
- 2.4GHz ISM Band
- Support IEEE802.11b/g
- Public Wireless Hotspot Coverage

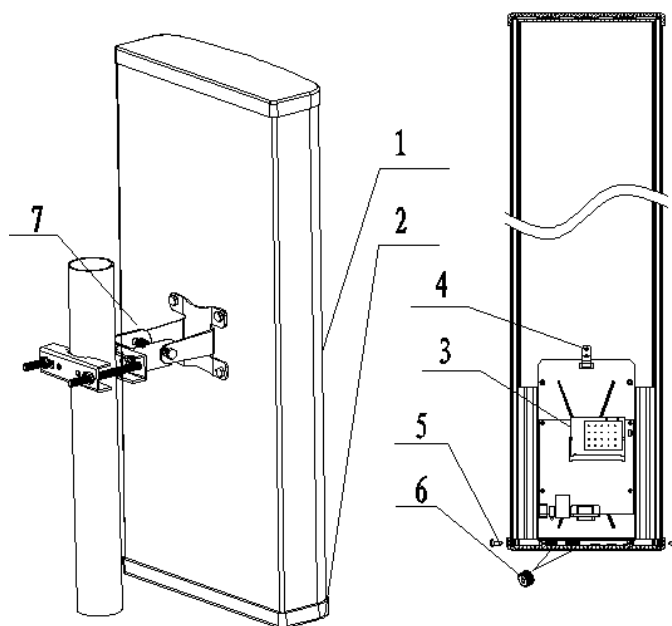
Features

- 65° Coverage , Low VSWR ,Light Weight
- With customer mounting plate
- With customer 703 rubber
- Integrated Router Board customization

Specifications

Model	XDJ-2400G15
Freq. Range-MHz	2400~2500
Gain-d Bi	15
Beamwidth-°	E:15 H:65
VSWR	≤1.5
Impedance-Ω	50
F/B Ratio-dB	≥25
Polarization	VP
Max.Power-W	100
Connector	MMCX-C-JW1.5
Dimension-mm	630×128×56
Weight-Kg	1.8
Waterproof	IP65
Pole Dia.-mm	φ 40~ φ 50

Installation Sketch



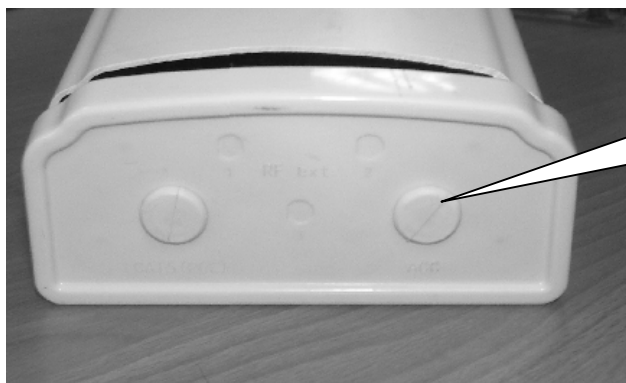
- 1、Antenna 2、Bottom lid 3、Router 4、Fixation kit
5、Bolts 6、Waterproof object 7、Bracket



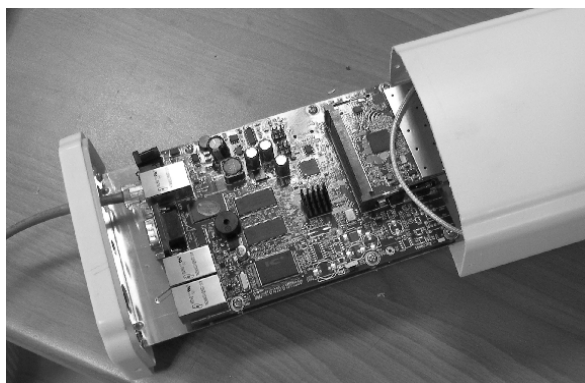
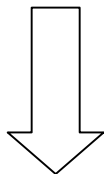
Kenbotong Communication LTD.

Addr :NO.2 Chanxiu Road ,Foshan city,Guangdong China Code:528061
Tel: 86(757)8202-5597, 8221-9788 Fax : 86(757)8221-2072,8802-2808
Email: kbt@kenbotong.com web: <http://www.kenbotong.com>

Enclosed Detail Installation File:



Firstly, please get the bottom lid out from the antenna body.

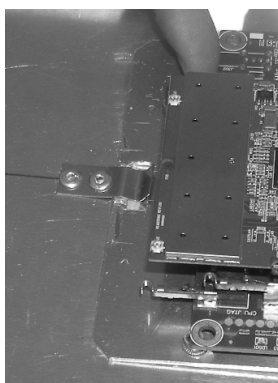
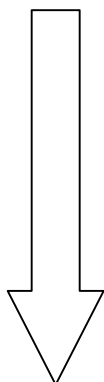


Router Install:

1. Connect the system P-o-E coaxial cable
2. Fix the router with the bolts
3. Antenna RF connector link to the network card

Encapsulation:

1. Waterproof the ports, and then fix it with the fixation kit and bolts
2. Seal the antenna with the 703 type rubber



Kenbotong Communication LTD.

Addr :NO.2 Chanxiu Road ,Foshan city,Guangdong China Code:528061
 Tel: 86(757)8202-5597, 8221-9788 Fax : 86(757)8221-2072,8802-2808
 Email: kbt@kenbotong.com web: <http://www.kenbotong.com>