

TQJ-500B

Fiberglass Omni Antenna

Technical Sheet



Applications

- Point to multipoint
- Wireless video system
- Wireless trunking system

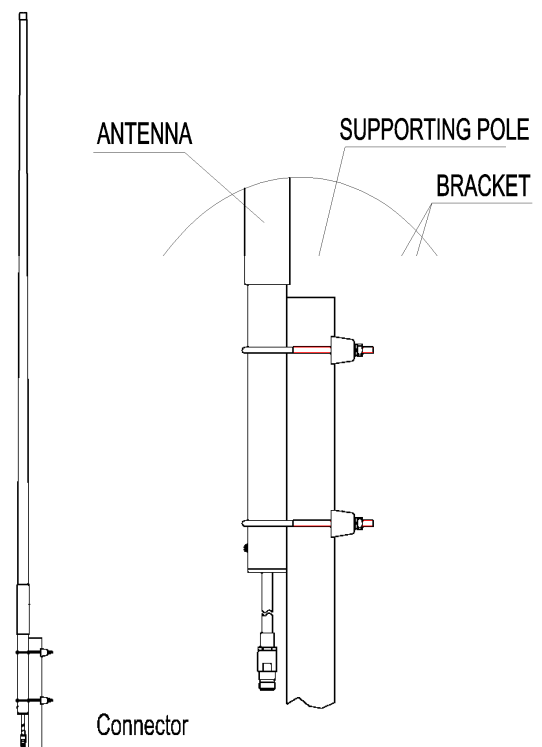
Features

- Superior performance
- Fiberglass radome
- Strong adaptability of weather
- Heavy-duty steel mounting kit

Specifications

Model	TQJ-500B
Freq.Range-MHz	480 to 590
Bandwidth-MHz	20
Gain-dBi	8
Ver.Beamwidth-°	16
VSWR	≤1.5
Impedance-Ω	50
Polarization	Vertical
Max.Power-W	100
Connector	N female or customized
Length-m	2.6
Weight-Kg	2.5
Mast Diameter-mm	φ40 to 50

Installation Sketch



Kenbotong Communication LTD.

Addr: Kenbotong Technology Park, No2. Chanxiu Road, Foshan, Guangdong, China 528061

Tel: +86-757-82219788, 82126632 Fax: +86-757-82212072

Email: kbt@kenbotong.com web: <http://www.kenbotong.com>