

TQJ-2458XTQS

2.4/5.8GHz Dual-band Bidirectional

Ceiling Mount Antenna

Technical Sheet

Applications

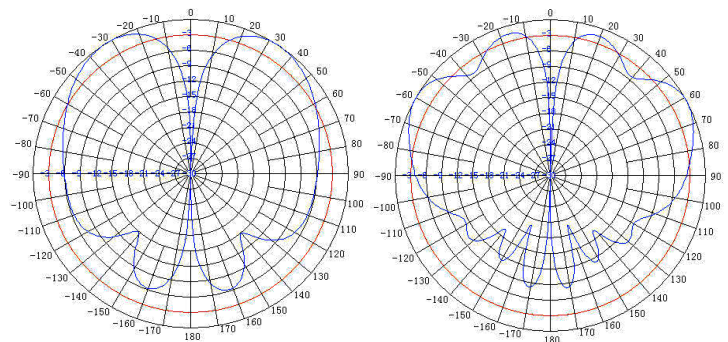
- 2.4GHz / 5GHz Wireless access band
- Support 802.11a,b,g
- 2.5GHz/5GHz WiMax System
- Indoor bidirectional coverage in aisle

Features

- 2.4 / 5GHz Band coverage
- Bidirectional radiation
- Small size,Light weight,Perfect performance
- Ceiling mount



Typical Pattern



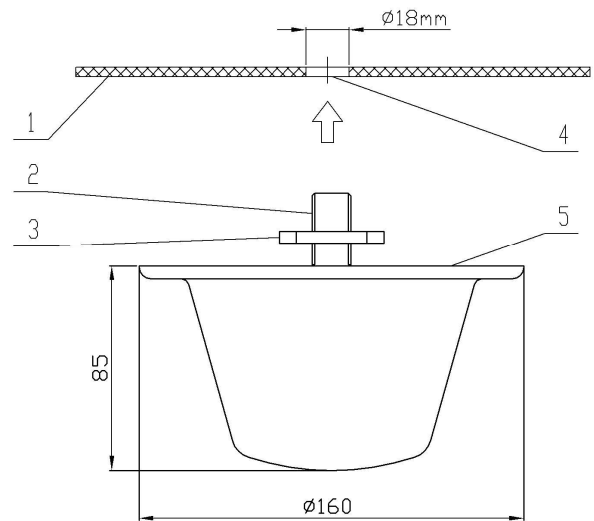
2. 4GHz E Plane

5 GHz E Plane

Specifications

Model	TQJ-2458XTQS	
Freq.Range-MHz	2400-2500	5150-5850
Bandwidth-MHz	100	700
Gain-dBi	≥4.5	
Hor.Beamwidth-°	115	
Ver.Beamwidth-°	45	
VSWR	≤1.5	≤2
Impedance-Ω	50	
Polarization	Vertical	
Max.Power-W	50	
Connector	N Female	
Dimension-mm	φ 161×85	
Weight-g	150	
Mounting way	Fixed with nut	

Installation Sketch



Installation Instruction

- 1.Suitable for ceiling mounting
- 2.Drill a φ18mm mounting hole on the ceiling
- 3.Fix the antenna on the ceiling with nut
- 4.Connect the antenna and the system, wrap the connector with waterproof tape.

1. Ceiling
2. Connector
3. Nut
4. Mounting hole
5. Antenna



Kenbotong Communication LTD.

Addr : Kenbotong Technology Park, No.2 Chanxiu Road, Foshan, Guangdong, China 528061

Tel: +86-757-82219788, 82126632 Fax: +86-757-82212072

Email: kbt@kenbotong.com web: <http://www.kenbotong.com>