

# TQJ-2400XTF

## Indoor Ceiling Mount Antenna

### Technical Sheet



#### Applications

- 2.4GHz Wireless LAN
- 2.4GHz UNII/ISM band
- IEEE 802.11b/g
- Bluetooth
- In-building wireless access points

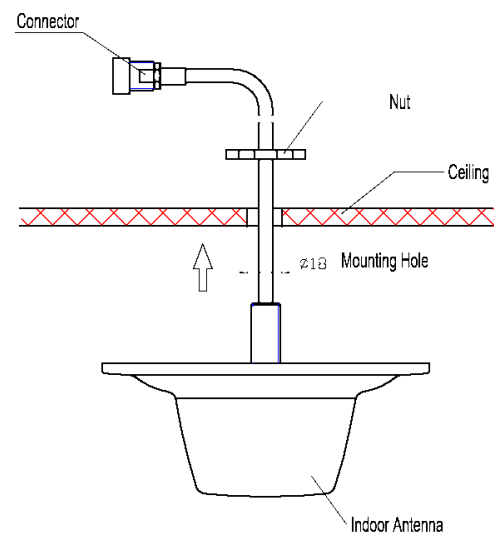
#### Features

- Omni-directional
- Indoor used
- UL listed materials and cable
- Surface mount in Drop Ceiling or Solid Ceiling
- Vertical polarization
- Type N female connector with pigtail

#### Specifications

Model	TQJ-2400XTF
Freq. Range-MHz	2400~2483
Gain-dBi	3
VSWR	≤1.5
Impedance-Ω	50
Polarization	Vertical
Max. Power-W	50
Connector Type	N-Female or Customization
Dimension-mm	φ 180×73
Weight-g	350
Fixing Way	Fix on the ceiling with nuts

#### Install Sketch



Kenbotong Communication LTD.

Addr : Kenbotong Technology Park, No.2 Chanxiu Road, Foshan, Guangdong, China 528061  
 Tel: +86-757-82219788, 82126632 Fax: +86-757-82212072  
 Email: [kbt@kenbotong.com](mailto:kbt@kenbotong.com) web: <http://www.kenbotong.com>