

TQJ-2125T5A

Fiberglass Omni Antenna

Technical Sheet



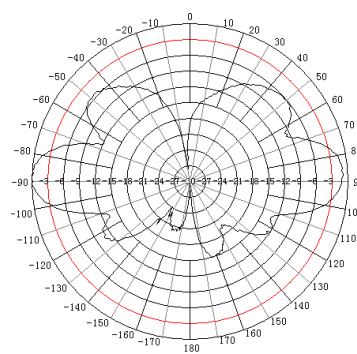
Applications

- 2100 to 2500MHz band
- Point to multipoint

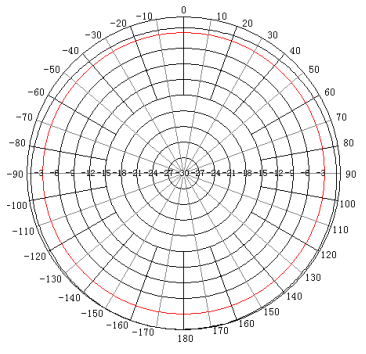
Features

- High gain, Low VSWR
- High quality fiberglass radome
- Crashworthy spring at the bottom of the antenna
- Flange mounting
- Integral N female connector

E Plane Pattern



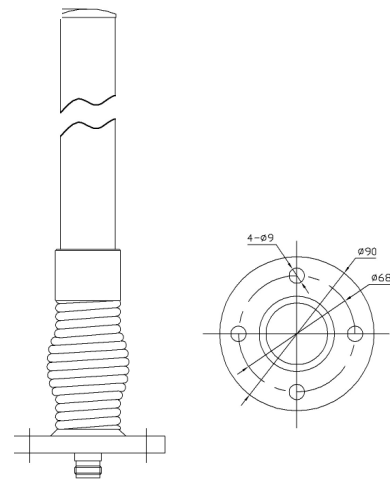
H Plane Pattern



Specifications

Model	TQJ-2125T5A
Freq.Range-MHz	2100 to 2500
Bandwidth-MHz	400
Gain-dBi	5
Ver.Beamwidth-°	35
VSWR	≤3
Impedance-Ω	50
Polarization	Vertical
Max.Power-W	100
Connector	N Female
Length-mm	330
Mounting	Flange
Rated Wind Velocity-m/s	60
Weight-Kg	0.8

Installation Sketch



Kenbotong Communication LTD

Addr : Kenbotong Technology Park, No.2 Chanxiu Road, Foshan, Guangdong, China 528061

Tel: +86-757-82219788, 82126632 Fax: +86-757-82212072

Email: kbt@kenbotong.com web: <http://www.kenbotong.com>