

# TQJ-150MB

## Omni Fiberglass Antenna

### Technical Sheet



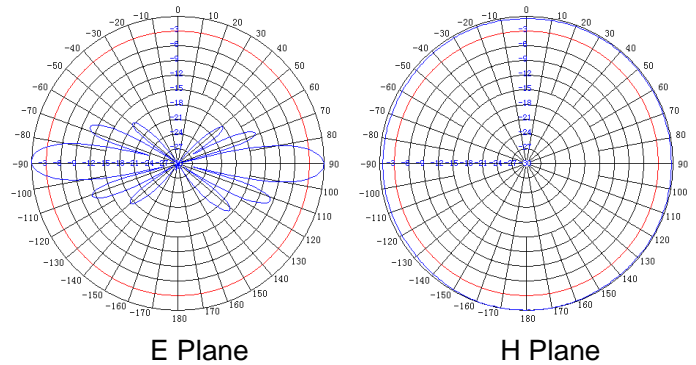
#### Applications

- 150MHz Band
- Wireless Video Link
- TETRA Communications System

#### Features

- High Gain, Superior Performance
- All Weather Operation
- Two-section High Strength Fiberglass Radome

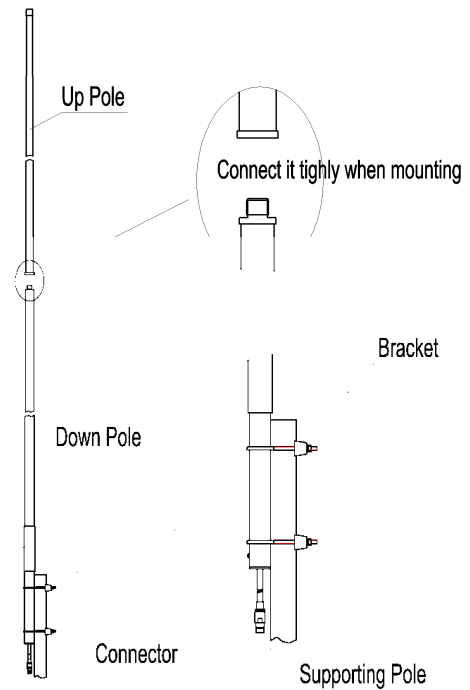
#### Reference Patterns



#### Specifications

Model	TQJ-150MB
Freq.Range-MHz	134 to 173
Bandwidth-MHz	2.5
Gain-dBi	8.7
Ver.Beamwidth-°	13.5
VSWR	≤1.5
Impedance-Ω	50
Polarization	Vertical
Max.Power-W	150
Connector	SL16 or Customized
Length-m	5.7
Weight-Kg	5
Pole Diameter-mm	40 to 50
Remark: The fiberglass radome is divided into two sections.	

#### Installation Sketch



1. Use two U bolts to fix the antenna on the pole;
2. Connect the cable and the connector;
3. Waterproof the connector after the system is normal.

