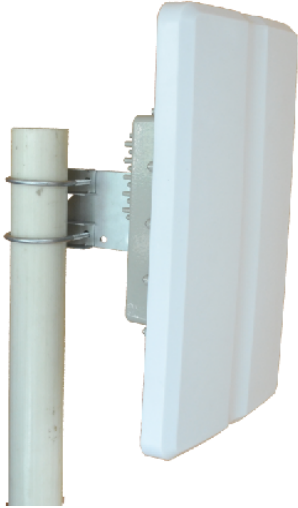


TDJ-Q2400GE-C

MIMO Directional Antenna

Technical Sheet



Applications

- 2.4 GHz WLAN MIMO system
- Support IEEE802.11n
- Long-distance communication

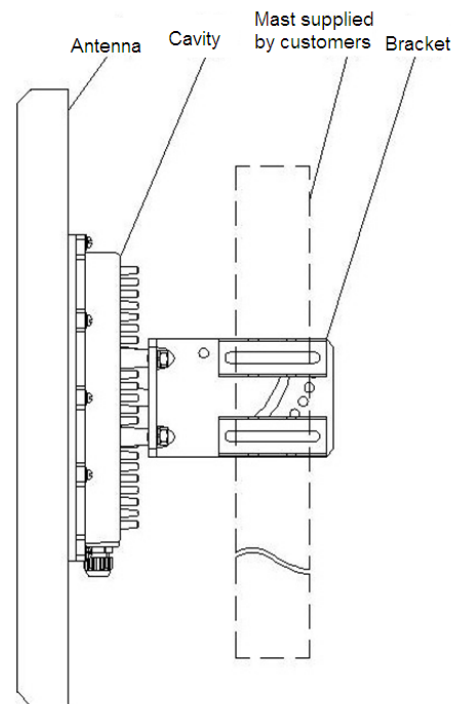
Features

- MIMO directional antenna
- High gain、 Low VSWR
- Compact size, Light weight

Specifications

Model	TDJ-Q2400GE-C
Freq.Range-MHz	2400 to 2500
Bandwidth-MHz	100
Gain-dBi	14
VSWR	≤1.5
Hor.Beamwidth - °	30
Ver.Beamwidth-°	30
Isolation-dB	≥25
F/B Ratio-dB	≥25
Impedance-Ω	50
Polarization	2xVertical polarization+ 2xHorizontal Polarization
Maximum Power-W	50
Connector	SMA Male or customized
Dimensions- mm	400×240×35
Weight-Kg	2.5
Pole Diameter-mm	Φ 40 to Φ 50

Installation Sketch



Kenbotong Communication LTD.

Addr :NO.2 Chanxiu Road ,Foshan city,Guangdong China Code:528061
 Tel: 86(757)8202-5597, 8221-9788 Fax : 86(757)8221-2072,8802-2808
 Email: kbt@kenbotong.com web: <http://www.kenbotong.com>