

# TDJ-915I17

## Panel Antenna

### Technical Sheet



#### Applications

- RFID System

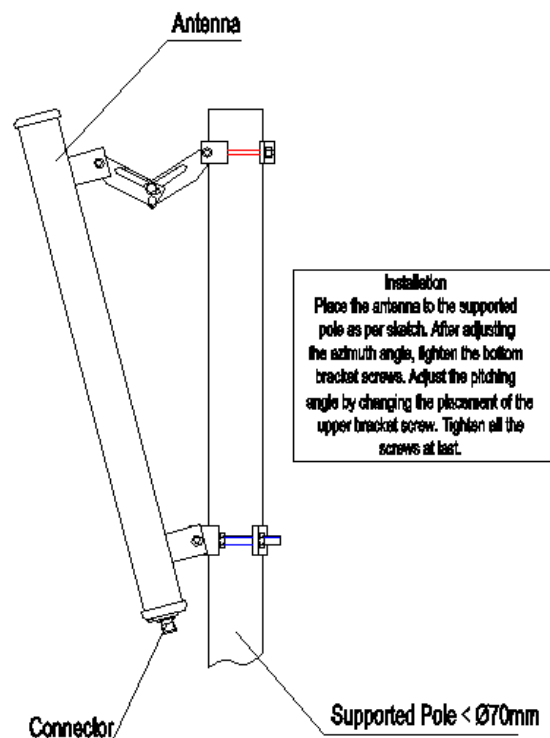
#### Features:

- 90° Beam-Width
- DC Grounded
- All Weather Operation
- Integral N Female Connector

#### Specifications

Model	TDJ-915I17
Freq. Range-MHz	902 to 928
Gain-dBi	17
Beamwidth-°	E:6.5 H:90
F/B Ratio-dB	≥20
VSWR	≤1.5
Impedance-Ω	50
Polarization	Vertical
Max. Power-W	100
Connector Type	N Female
Dimension-cm	220×17×6.5
Weight-Kg	8.5

#### Install Sketch



Kenbotong Communication LTD.

Addr: Kenbotong Technology Park, No.2 Chanxiu Road, Foshan, Guangdong, China 528061  
Tel: +86-757-82219788, 82126632 Fax: +86-757-82212072  
Email: kbt@kenbotong.com web: <http://www.kenbotong.com>