

TDJ-915EA9R

Flat Antenna

Technical Sheet



Applications

- 900MHz RFID System

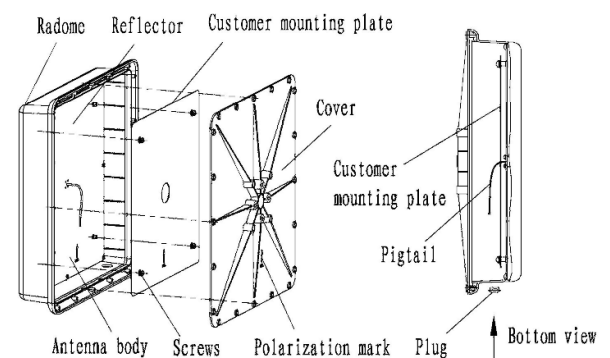
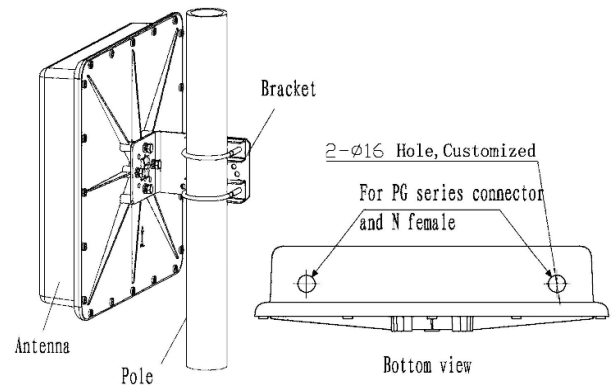
Features

- Circle Polarization
- DC Grounded
- Low profile, Compact size
- Integrated enclosure, with pigtail
- With customer mounting plate

Specifications

Model	TDJ-915EA9R
Freq.Range-MHz	902~928
Bandwidth-MHz	26
Gain-dBi	9
Beamwidth-°	E:60 H:60
VSWR	≤1.3
Impedance-Ω	50
F/B Ratio-dB	≥20
Polarization	RHCP
Max.Power-W	20
Connector Type	SMA Male or Customization
Dimension-mm	325×325×65
Inside Dim.-mm	280×280×33
Weight-kg	2.1
Operating Temp. -°C	-40~+70
Wind Velocity -m/s	60
Pole Dia.-mm	Φ 40~Φ 50

Installation Sketch



Kenbotong Communication LTD.

Addr: Kenbotong Technology Park, No2. Chanxiu Road, Foshan, Guangdong, China 528061

Tel: +86-757-82219788, 82126632 Fax: +86-757-82212072

Email: kbt@kenbotong.com web: <http://www.kenbotong.com>