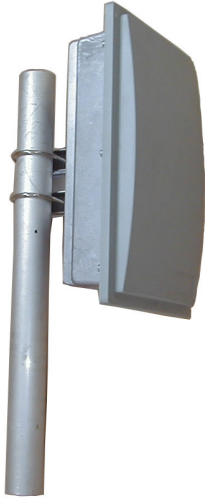


TDJ-915BQ8

Panle Antenna

Technical Sheet



Applications

- RFID System
- Other Communication System

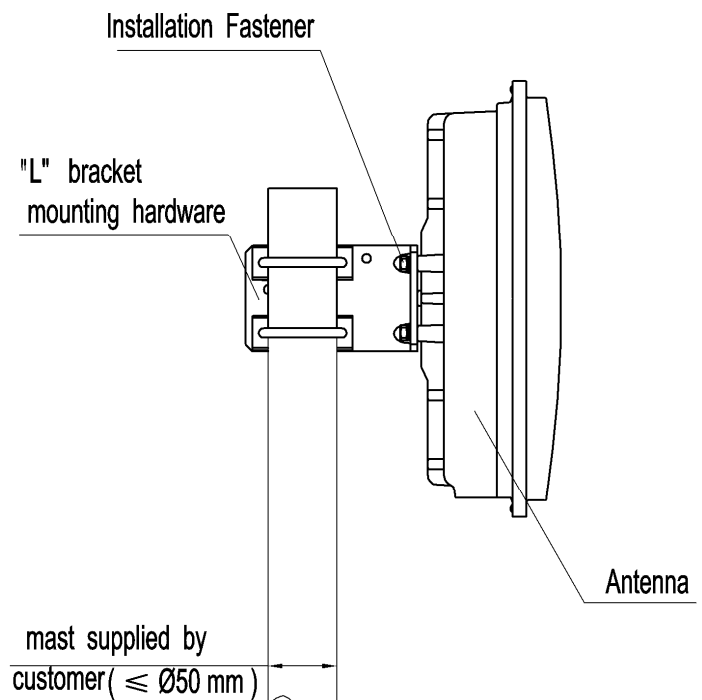
Features

- High Gain ,Low VSWR
- Light Weight, Small Vol.
- Corrosion Resistance
- DC Grounded
- Integrated mount cavity
- Supplied with a pole and Swivel Mast Mount kit

Specifications

Model	TDJ-915BQ8
Freq.Rang-MHz	902-928
Bandwidth-MHz	26
Gain-dBi	8
Horizontal BW-°	75
Vertical BW-°	55
F/B Ratio-dB	≥18
VSWR	≤1.5
Impedance-Ω	50
Polarization	Vertical/Horizontal
Max.Power-W	100
Connector	SMA Male or Customized
Dimension-mm	320×200×100
Weight-Kg	2
Pole Diameter-mm	φ40 to 50

Install Sketch



Kenbotong Communication LTD.

Addr: Kenbotong Technology Park, No2. Chanxiu Road, Foshan, Guangdong, China 528061

Tel: +86-757-82219788, 82126632 Fax: +86-757-82212072

Email: kbt@kenbotong.com web: <http://www.kenbotong.com>