

TDJ-5800SPL6

Parabolic Antenna

Technical Sheet



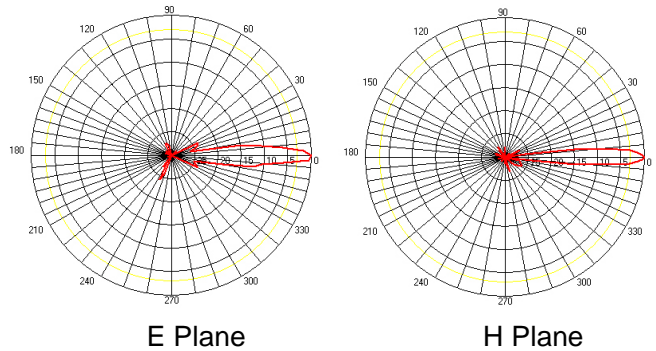
Applications

- 5.8GHz WLAN system
- 5.8GHz band
- Long-distance transmission
- Wireless bridges

Features

- High gain, Low VSWR, Low wind loading
- Aluminum die cast reflector
- UV stable coat finish
- Vertical or horizontal polarization

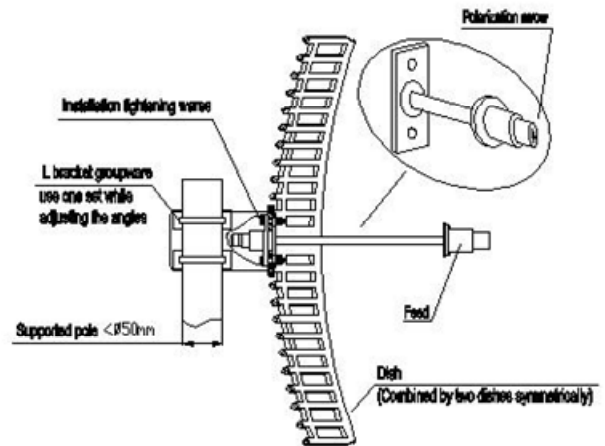
Reference Patterns



Specifications

Model	TDJ-5800SPL6
Freq.Range-MHz	5725 to 5850
Gain-dBi	27
Beamwidth-°	E:9 H:6
F/B Ratio-dB	≥25
VSWR	≤1.5
Impedance-Ω	50
Polarization	Vertical or horizontal
Max.Power-W	100
Connector	N female
Dimensions-m	0.4x0.6
Weight-Kg	2.4
Mast Diameter-mm	40 to 50

Installation Sketch



Installation ways:

1. Combine two dishes symmetrically to compose a parabolic groupware.
2. Install the feed to the dish as per the sketch, ensure that the direction of the "polarization arrow" on the feed is the same with the direction of the grid. When the direction of the arrow and the grid are both vertical with the ground, the antenna is in vertical polarization state. When the direction of the arrow and the grid are both horizontal with the ground, the antenna is in horizontal polarization state.
3. Install the L bracket to the dish, then place the antenna to the supported pole as per the sketch.
4. Test the receiving signal by instruments, adjust the azimuth angle and the pitching angle to enlarge the receiving signal. Tighten all the nuts and seal the connector for joining the antenna and the feed.

