

# TDJ-5500SPL9

## Die Cast Grid Antenna

### Technical Sheet



#### Applications

- 5.5GHz WLAN/WiMax
- Long-Range Directional Applications
- Point to Point/Point to Multi-point Systems
- Wireless Bridges

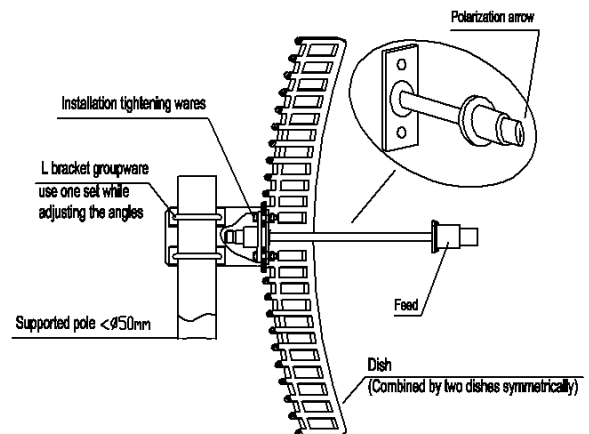
#### Features

- High Gain up to 29.5 dBi
- Superior Performance
- Vertical or Horizontal Operation
- Aluminum Die Cast Grid
- UV Stable light Gray Powder Coat Finish
- All Weather Operation
- Easy to Assemble

#### Specifications

Model	TDJ-5500SPL9
Freq. Range-MHz	5470~5725
Gain-dBi	29.5
Vertical Beamwidth-°	6
Horizontal Beamwidth-°	4
F/B Ratio-dB	≥25
VSWR	≤1.5
Impedance-Ω	50
Polarization	Vertical or Horizontal
Max. Power-W	100
Connector Type	N Female
Dimension-m	0.6x0.9
Weight-Kg	4.5
Pole Diameter-mm	φ 40~50

#### Install Sketch



#### Installation ways:

1. Combine two dishes symmetrically to compose a parabolic groupware.
2. Install the feed to the dish as per the sketch, ensure that the direction of the "polarization arrow" on the feed is the same with the direction of the grid. When the direction of the arrow and the grid are both vertical with the ground, the antenna is in vertical polarization state. When the direction of the arrow and the grid are both horizontal with the ground, the antenna is in horizontal polarization state.
3. Install the L bracket to the dish, then place the antenna to the supported pole as per the sketch.
4. Test the receiving signal by instruments, adjust the azimuth angle and the pitching angle to enlarge the receiving signal. Tighten all the nuts and seal the connector for joining the antenna and the feed.



Kenbotong Communication LTD.

Addr : Kenbotong Technology Park, No.2 Chanxiu Road, Foshan, Guangdong, China 528000  
 Tel: +86-757-82219788, 82126632 Fax: +86-757-82212072  
 Email: kbt@kenbotong.com web: <http://www.kenbotong.com>