

# TDJ-5158P9A

## 5GHz Dish Antenna

### Technical Sheet



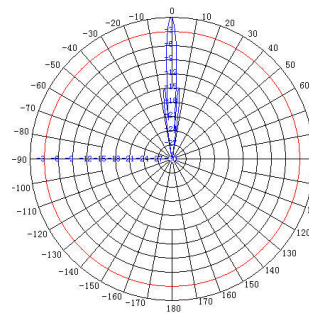
#### Applications

- 5.1GHz/5.5GHz/5.8GHz WLAN
- 5GHz WiMAX System
- Backhaul/Client Antenna

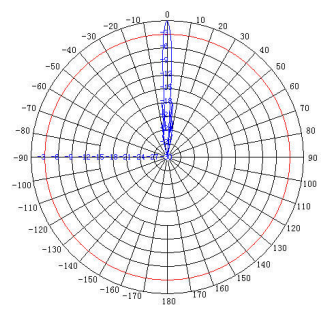
#### Features

- High Gain, Good F/B Ratio
- High Precise Parabolic Dish
- UV-Coated Aluminium Alloy
- V/H Polarization is Compatible
- Standard Mounting Kits

E Plane



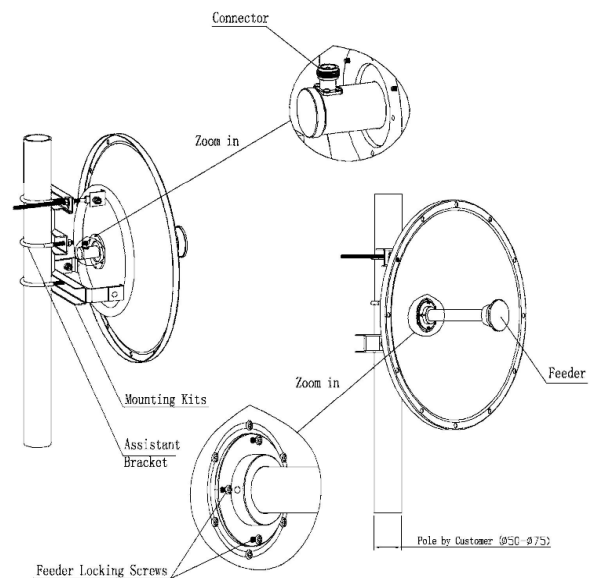
H Plane



#### Specifications

Model	TDJ-5158P9A
Freq. Range-MHz	5150-5850
Bandwidth-MHz	700
Gain-dBi	32
Ver. Beamwidth-°	3.5
Hor. Beamwidth-°	3.5
F/B Ratio-dB	≥40
VSWR	≤1.5
Impedance-Ω	50
Polarization	Vertical or Horizontal
Max. Power-W	100
Connector Type	N Female
Caliber Size-m	φ0.9
Mechanical Tilt-°	0-20
Weight-Kg	10.5
Wind Velocity-km/h	136(Operational)
	216(Survival Rating)
Side Struts	No
Pole Diameter-mm	φ 50 to 75( φ 70 to 110 is optional)

#### Install Sketch



#### Installation:

1. Fixing mounting kits and feeder to parabolic dish, notice the polarization mark.
2. Installing assistant bracket, then install antenna above the assistant bracket, not fixing screws of the mounting kits.
3. To make the received signal maximum by adjusting antenna's azimuth and elevation, then fix screws of the mounting kits and move the assistant bracket to the illustrated place.
4. Antenna's polarization can be adjusted by rotating the feeder. When the connector is vertical, antenna work at vertical polarization mode, otherwise at horizontal polarization mode.



Kenbotong Communication LTD.

Addr: Kenbotong Technology Park, No.2 Chanxiu Road, Foshan, Guangdong, China, 528061  
 Tel: +86-757-82219788, 82126632 Fax: +86-757-82212072  
 Email: kbt@kenbotong.com web: http://www.kenbotong.com