

TDJ-5100SPL4

Die Cast Grid Antenna

Technical Sheet



Applications

- 5.1GHz WLAN System
- Long-Range Directional Applications
- Point to Point/Point to Multi-point Systems
- Wireless Bridges

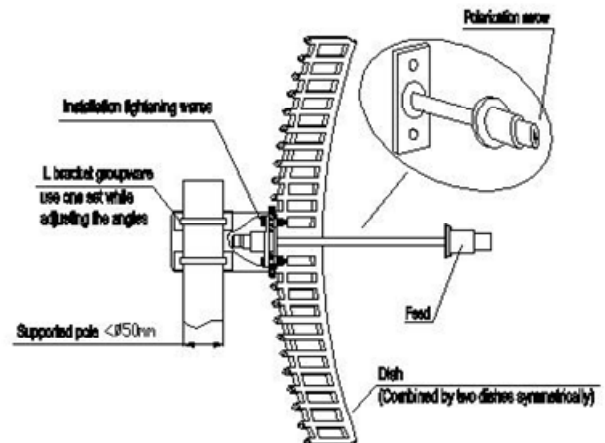
Features

- High Gain, Low VSWR,
- Easy to install
- Aluminum Die Cast Reflector
- UV Stable Coat Finish
- All weather operation
- Compatible with Vertical or Horizontal Polarization

Specification

Model	TDJ-5100SPL4
Freq.Range-MHz	5150~5350
Bandwidth-MHz	200
Gain-dBi	22
VSWR	≤1.5
Ver.Beamwidth-°	13
Hor.Beamwidth-°	10
F/B Ratio-dB	≥20
Impedance-Ω	50
Polarization	Vertical or Horizontal
Max.Power-W	100
Lightning Protection	DC Grounded
Connector	N Female or customized
Dimension-m	0.3×0.4
Weight-Kg	1.4
Pole Diameter-mm	φ 40-50

Installation Sketch



Installation ways:

1. Combine two dishes symmetrically to compose a parabolic groupware.
2. Install the feed to the dish as per the sketch, ensure that the direction of the "polarization arrow" on the feed is the same with the direction of the grid. When the direction of the arrow and the grid are both vertical with the ground, the antenna is in vertical polarization state. When the direction of the arrow and the grid are both horizontal with the ground, the antenna is in horizontal polarization state.
3. Install the L bracket to the dish, then place the antenna to the supported pole as per the sketch.
4. Test the receiving signal by instruments, adjust the azimuth angle and the pitching angle to enlarge the receiving signal. Tighten all the nuts and seal the connector for joining the antenna and the feed.



Kenbotong Communication LTD.

Addr: Kenbotong Technology Park, No2 Chanxiu Road, Foshan, Guangdong, China, 528061
 Tel: +86-757-82219788, 82126632 Fax: +86-757-82212072
 Email: kbt@kenbotong.com web: <http://www.kenbotong.com>