

TDJ-4900SPL9

Die Cast Grid Antenna

Technical Sheet



Applications

- 4.9GHz Wireless Access
- Long-Range Directional Applications
- Point to Point/Point to Multi-point Systems
- Wireless Bridges

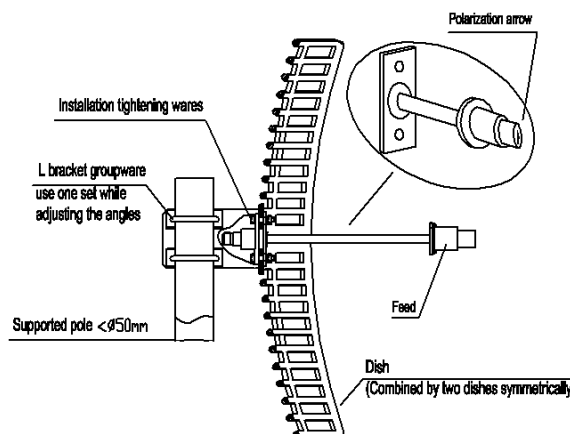
Features

- Superior Performance
- Vertical or Horizontal Operation
- Aluminum Die Cast Grid
- UV Stable Light Gray Powder Coat Finish
- All Weather Operation
- Easy to Assemble

Specifications

Model	TDJ-4900SPL9
Freq. Range-MHz	4900~5000
Bandwidth-MHz	100
Gain-dBi	29
Beamwidth-°	E:7 H:5
F/B Ratio-dB	≥25
VSWR	≤1.5
Impedance-Ω	50
Polarization	Vertical or Horizontal
Max. Power-W	100
Connector Type	N Female
Dimension-m	0.6x0.9
Weight-Kg	3.5
Pole Diameter-mm	Φ 40~50

Install Sketch



Installation ways:

1. Combine two dishes symmetrically to compose a parabolic groupware.
2. Install the feed to the dish as per the sketch, ensure that the direction of the "polarization arrow" on the feed is the same with the direction of the grid. When the direction of the arrow and the grid are both vertical with the ground, the antenna is in vertical polarization state. When the direction of the arrow and the grid are both horizontal with the ground, the antenna is in horizontal polarization state.
3. Install the L bracket to the dish, then place the antenna to the supported pole as per the sketch.
4. Test the receiving signal by instruments, adjust the azimuth angle and the pitching angle to enlarge the receiving signal. Tighten all the nuts and seal the connector for joining the antenna and the feed.



Kenbotong Communication LTD.

Addr: Kenbotong Technology Park, No.2 Chanxiu Road, Foshan, Guangdong, China 528061

Tel: +86-757-82219788, 82126632 Fax: +86-757-82212072

Email: kbt@kenbotong.com web: <http://www.kenbotong.com>