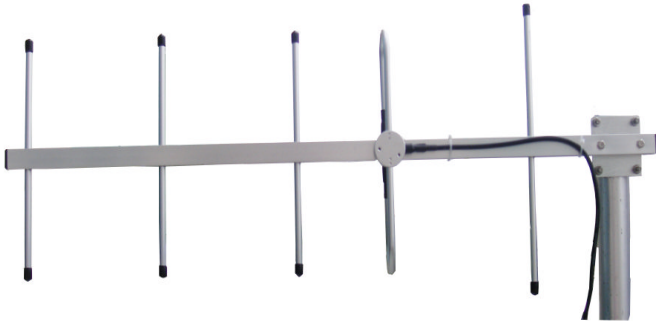


# TDJ-400Z5

## Yagi Antenna

### Technical Sheet



#### Applications

- 400MHz SCDMA System
- 400MHz Wireless access System
- 400MHz Wireless Data transmission
- 400MHz Wireless Trunking communications

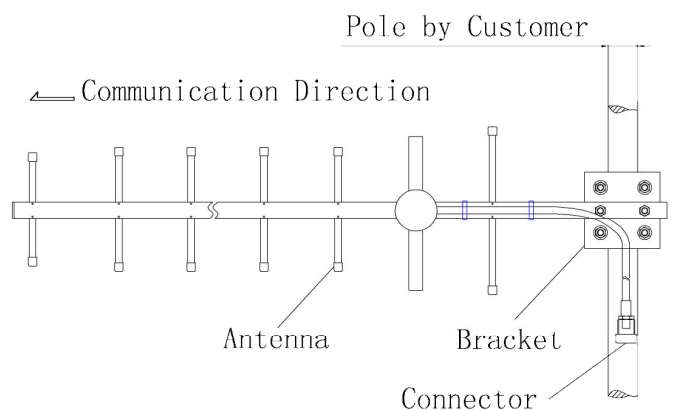
#### Features

- High Gain
- Aluminum alloy structure
- All weather operation
- Optimized Size

#### Specifications

Model	TDJ-400Z5
Freq.Range-MHz	400 to 490
Bandwidth-MHz	20
Gain-dBi	9
Beamwidth-°	E:48 H:54
F/B Ratio-dB	≥15
VSWR	≤1.5
Impedance-Ω	50
Polarization	Vertical
Max.Power-W	100
Connector	BNC Male or customized
Length-m	0.72
Weight-Kg	0.6
Mast Diameter-mm	φ 40 to 50
Note:Antenna length and weight are for reference only.	

#### Installation Sketch



Kenbotong Communication LTD.

Addr: Kenbotong Technology Park, No2. Chanxiu Road, Foshan, Guangdong, China 528061

Tel: +86-757-82219788, 82126632 Fax: +86-757-82212072

Email: kbt@kenbotong.com web: <http://www.kenbotong.com>