

TDJ-3500K

3.5GHz Panel Antenna

Technical Sheet



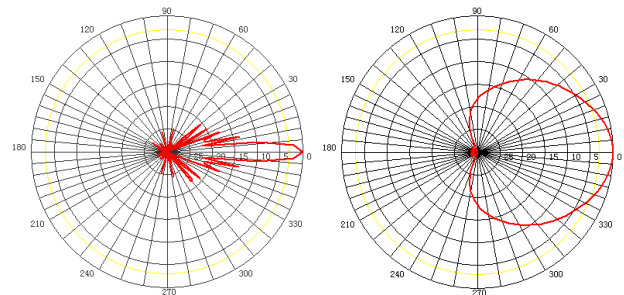
Applications

- 3.5GHz WiMax system
- Support 802.16 series standard
- LMDS

Features

- Broad band, High gain, Low VSWR
- Light weight, Small size, Firm structure
- Strong corrosion resistance capability
- Integrated N female connector
- Supplied with mast mounting kit

Reference Patterns



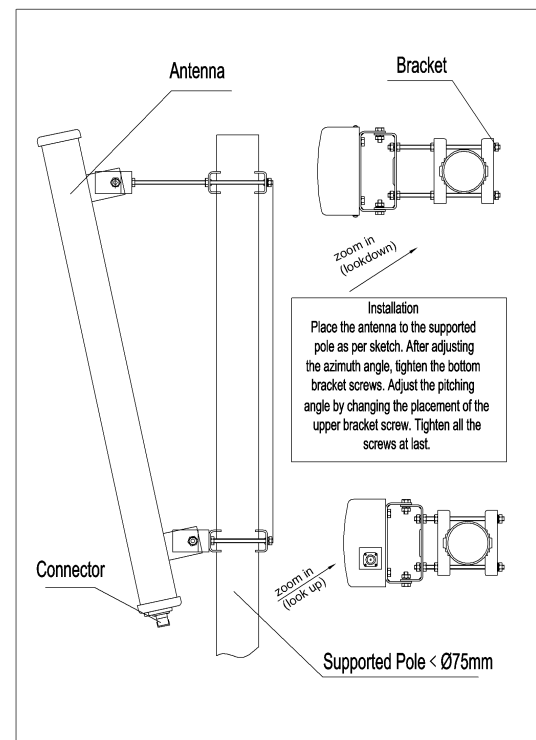
Vertical Plane

Horizontal Plane

Specifications

Model	TDJ-3500K
Freq.Range-MHz	3400 to 3600
Bandwidth-MHz	200
Gain-dBi	19
Hor.Beamwidth-°	45
Ver.Beamwidth-°	7
Mechanical angle tilt -°	0-20
F/B Ratio-dB	≥30
VSWR	≤1.5
Impedance-Ω	50
Polarization	Vertical
Max.Power-W	100
Connector	N female
Dimensions-mm	720×175×60
Weight-Kg	4.5
Mast Diameter-mm	φ 50 to φ 75

Installation Sketch



Kenbotong Communication LTD

Addr : Kenbotong Technology Park, No.2 Chanxiu Road, Foshan, Guangdong, China 528061

Tel: +86-757-82219788, 82126632 Fax: +86-757-82212072

Email: kbt@kenbotong.com web: <http://www.kenbotong.com>