

TDJ-3338EA18

3.5GHz Flat Antenna

Technical Sheet



Applications

- 3.5GHz Wireless access system
- 3.5GHz WiMax System
- Support IEEE802.16d
- Point to point, wireless bridge
- Image transmission

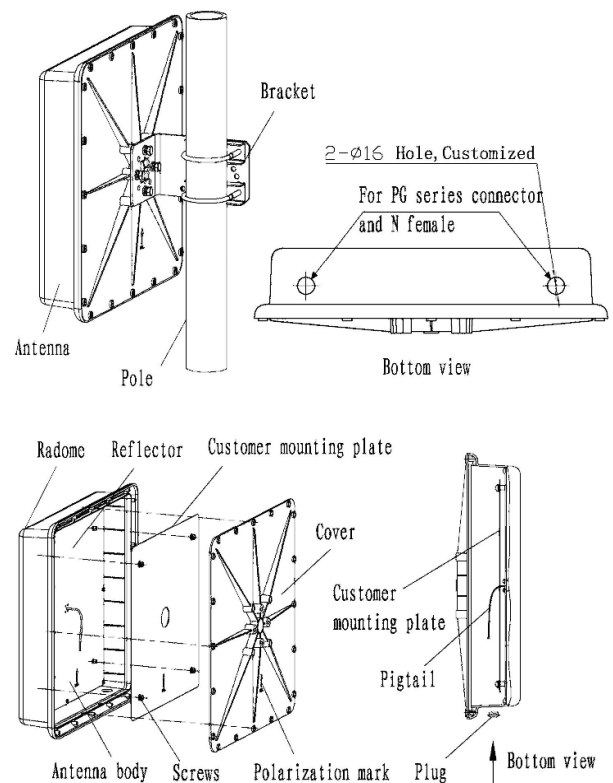
Features

- Broadband operation
- High Gain, Good F/B Ratio
- Low profile, Compact size
- V or H polarization compatible
- Integrated enclosure, with pigtail
- With customer mounting plate

Specifications

Model	TDJ-3338EA18
Freq.Range-MHz	3300~3800
Gain-dBi	18
Beamwidth-°	E:17 H:17
VSWR	≤2
Impedance-Ω	50
F/B Ratio-dB	≥30
Polarization	Vertical or Horizontal
Max.Power-W	20
Connector	SMA Male or customization
Dimension-mm	325×325×65
Inside Dim.-mm	280×280×38
Weight-Kg	2.1
Operating Temp.-°C	-40~+70
Wind Velocity -m/s	60
Pole Dia.-mm	φ 40~ φ 50

Installation Sketch



Kenbotong Communication LTD.

Addr: NO.2 Chanxiu Road, Foshan City, Guangdong China
 Code: 528061
 Tel: +86-757-82219788, 82126632 Fax: +86-757-82212072
 Email: kbt@kenbotong.com web: <http://www.kenbotong.com>