

TDJ-2458EA17

Dual Band Flat Antenna

Technical Sheet



Applications

- 2.4GHz & 5GHz WiFi system
- Wireless public hotspot coverage
- Support IEEE802.11n
- Point to point, point to multipoint

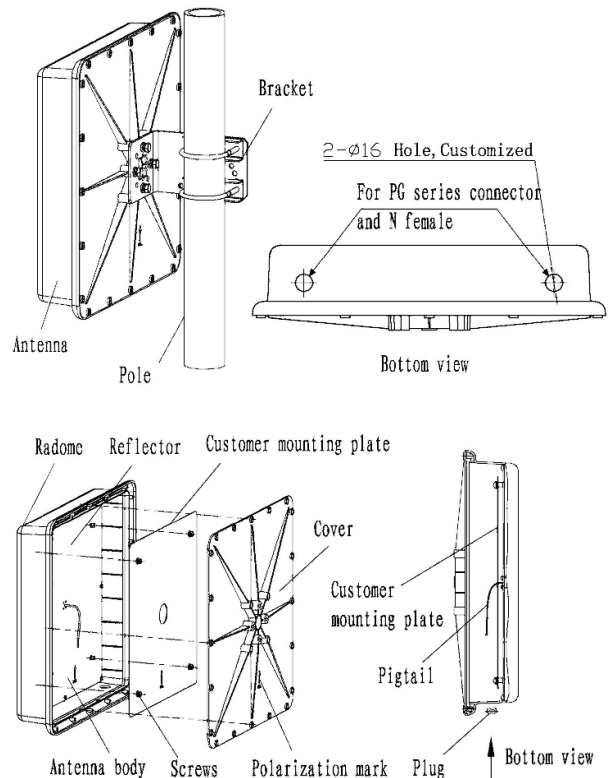
Features

- High Gain, Good F/B Ratio
- Low profile, Light weight
- Integrated enclosure, with pigtail
- With customer mounting plate

Specifications

Model	TDJ-2458EA17	
Freq.Range-MHz	2400~2483	5150~5850
Gain-dBi	17	20
Beamwidth-°	E:22 H:22	E:11 H:11
VSWR	≤2	
Impedance-Ω	50	
F/B Ratio-dB	≥30	
Polarization	Vertical	
Max.Power-W	20	
Connector	U. FL or Customization	
Diemension-mm	325×325×65	
Inside Dim.-mm	280×280×38	
Weight-Kg	2.1	
Operating Temp.-°C	-40~+70	
Wind Velocity -m/s	60	
Pole Dia.-mm	φ 40~ φ 50	

Installation Sketch



Kenbotong Communication LTD.

Addr: NO.2 Chanxiu Road, Foshan City, Guangdong China

Code: 528061

Tel: +86-757-82219788, 82126632 Fax: +86-757-82212072

Email: kbt@kenbotong.com web: <http://www.kenbotong.com>