

TDJ-2458BKC-Y

Dual-band Broadband Panel

Antenna

Technical Sheet



Applications

- 2.4/5.1/5.5/5.8GHz WLAN system
- 5.8GHz UNII/5.8GHz ISM system
- WiFi system
- Wireless bridges

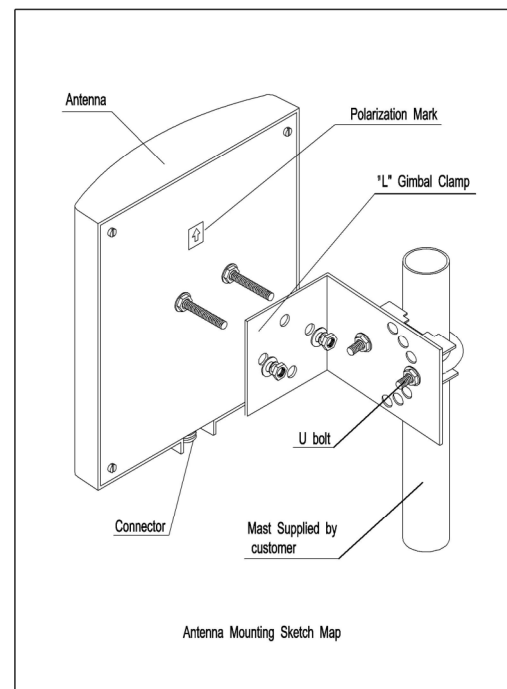
Features

- Dual-band, broadband operation
- High gain, Low VSWR
- Light weight, Small size
- Strong corrosion resistance
- Integral N female connector
- Supplied with down-tilt mast mounting kit

Specifications

Model	TDJ-2458BKC-Y	
Freq.Range-MHz	2400-2500	4940-5850
Bandwidth-MHz	100	910
Gain-dBi	12	15
Beamwidth-°	E:48 H:45	E:20 H:20
F/B Ratio-dB	≥20	
VSWR	≤1.5	
Impedance-Ω	50	
Polarization	Vertical	
Max.Power-W	100	
Connector	N female	
Dimensions-mm	190x216x50	
Weight-kg	1.2	
Mast Diameter-mm	φ 40 to 50	

Installation Sketch



Kenbotong Communication LTD.

Addr : Kenbotong Technology Park, No.2 Chanxiu Road, Foshan, Guangdong, China 528061

Tel: +86-757-82219788, 82126632 Fax: +86-757-82212072

Email: kbt@kenbotong.com web: <http://www.kenbotong.com>