

# Outdoor Flat Panel Antenna

## Technical Sheet

### Main Features

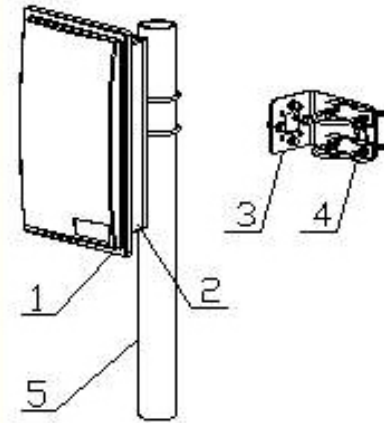
- Specially designed for 2.4GHz spread spectrum communications system
- 30 degree coverage in horizontal plane
- High gain, Low VSWR
- Compact size
- Integrated cavity for customer's equipment

### Electrical Specifications

Model	TDJ-2400L16	
Freq.Range-MHz	2400 to 2483	
Bandwidth-MHz	83	
Gain-dBi	16	
Polarization	Vertical	
Beamwidth -°	H Plane	30
	E Plane	25
F/B Ratio-dB	≥25	
VSWR	≤1.5	
Nominal Impedance-Ω	50	
Power Capacity-W	50	

### Mechanical & Environmental Specifications

Connector	N male or customized
Dimensions(LxWxH)-mm	320x200x100
Weight-Kg	2
Mounting	Mast
Mast Diameter-mm	Φ40 to 50
Operating Temperature-°C	-40 to +60
Relative Humidity	5% to 95%
Rated Wind Velocity-m/s	60

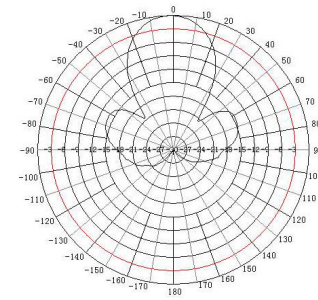


1. Antenna
2. Cavity
3. L bracket
4. U Clamp
5. Mast (user-provide)

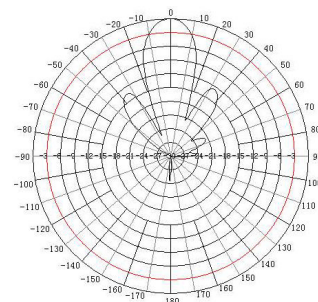
#### Installation Instruction:

1. Mount the antenna on the mast, adjust the coverage direction & elevation of the antenna. (Note: Only use a U clamp when adjusting.)
2. Test receiving signal by equipment, adjust azimuth & elevation to maximize the receiving signal, and then fasten all the screws.
3. Join the antenna & the cable, and then seal the connector with waterproof tape.

### Typical Patterns



H Plane



E Plane



**Kenbotong Communication LTD.**

Addr: Kenbotong Technology Park, No.2 Chanxiu Road, Foshan, Guangdong, China 528061

Tel: +86-757-82219788, 82126632 Fax: +86-757-82212072

Email: [kbt@kenbotong.com](mailto:kbt@kenbotong.com) web: <http://www.kenbotong.com>