

# TDJ-2400JHW15

## 2.4GHz Horizontal polarization

### Sector Panel Antenna

## Technical Sheet



### Applications

- 2.4 GHz ISM Band
- IEEE 802.11b,g Wireless LAN
- Public Wireless Hotspot
- Wireless Internet Provider "Cell" Sites

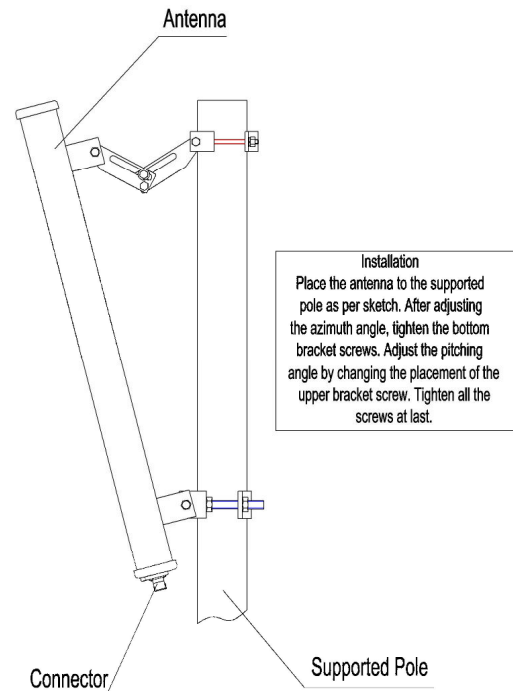
### Features

- High gain
- Horizontal Polarization
- 90/120° Beam-Width In E-Plan
- 20° Down-Tilt Mounting Bracket
- Integral N-Female Connector

### Specifications

Model	TDJ-2400JHW15
Freq. Range-MHz	2400~2483
Bandwidth-MHz	83
Gain-dBi	15
Beamwidth-°	E:120 H:8
F/B Ratio-dB	≥15
VSWR	≤1.5
Impedance-Ω	50
Polarization	Horizontal
Max. Power-W	100
Connector Type	N Female
Dimension-mm	1220×170×60
Weight-Kg	6
Pole Diameter-mm	φ 50~75

### Install Sketch



Kenbotong Communication LTD.

Addr: Kenbotong Technology Park, No.2 Chanxiu Road, Foshan, Guangdong, China 528061

Tel: +86-757-82219788, 82126632 Fax: +86-757-82212072

Email: kbt@kenbotong.com web: <http://www.kenbotong.com>