

TDJ-2400IHW16

Horizontal Polarization Panel Antenna

Technical Sheet

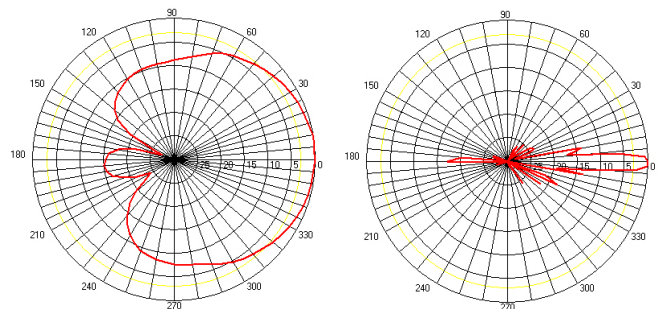


Applications

- 2400 to 2483MHz Band
- Wlan System
- Hotspot Coverage

Features

- High Gain, Low VSWR
- Horizontal Polarization, 90 Degree Sector
- Sealed with Radome, Strong Protection Ability
- Supplied with Down-tilt Mast Mounting Kit



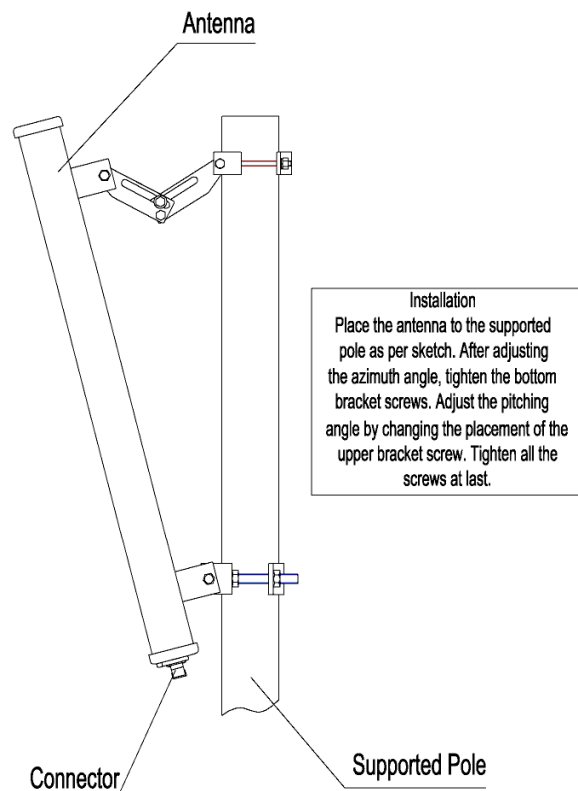
E Plane

H Plane

Specifications

| | |
|------------------|---------------|
| Model | TDJ-2400IHW16 |
| Freq.Range-MHz | 2400 to 2483 |
| Bandwidth-MHz | 83 |
| Gain-dBi | 16 |
| Beamwidth-° | H:8 E:90 |
| F/B Ratio-dB | ≥15 |
| VSWR | ≤1.5 |
| Impedance-Ω | 50 |
| Polarization | Horizontal |
| Max.Power-W | 100 |
| Connector | N Female |
| Dimensions-mm | 1300×170×60 |
| Weight-Kg | 6 |
| Pole Diameter-mm | φ 50 to 75 |

Installation Sketch



Kenbotong Communication LTD

Addr : Kenbotong Technology Park, No.2 Chanxiu Road, Foshan, Guangdong, China 528061

Tel: +86-757-82219788, 82126632 Fax: +86-757-82212072

Email: kbt@kenbotong.com web: <http://www.kenbotong.com>