

TDJ-2400EA16

2.4GHz Flat Antenna

Technical Sheet



Applications

- 2.4GHz WLAN
- Support IEEE802.11g
- Point to point, Wireless Bridge
- Image Transmission

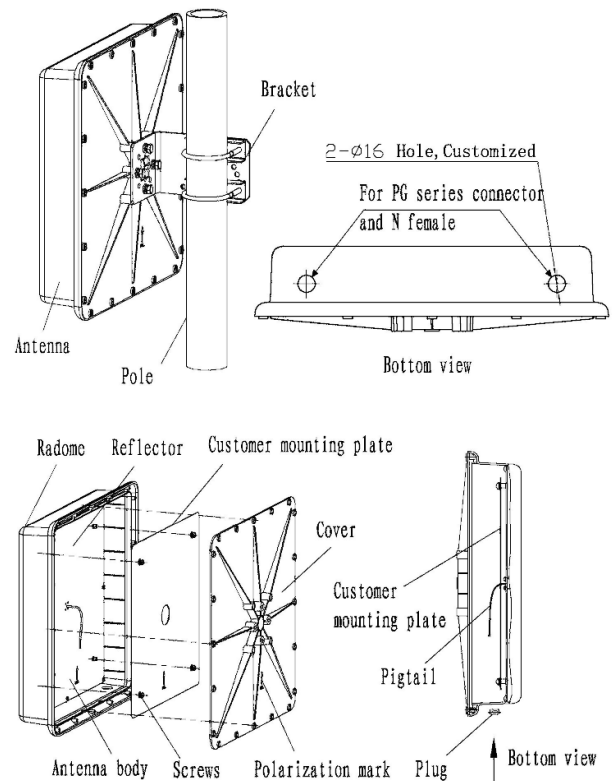
Features

- High gain, Low VSWR
- Low profile, Light weight
- V or H polarization compatible
- Integrated enclosure, with pigtail
- With customer mounting plate

Specifications

Model	TDJ-2400EA16
Freq. Range-MHz	2400~2483
Gain-dBi	16
Beamwidth-°	E:20 H:30
VSWR	≤1.5
Impedance-Ω	50
F/B Ratio-dB	≥25
Polarization	Vertical or horizontal
Max. Power-W	20
Connector Type	SMA Male or customization
Outside Dim.-mm	325×325×65
Inside Dim.-mm	280×280×38
Weight-kg	2.1
Operating Temp. -°C	-40~+70
Wind Velocity -m/s	60
Pole Dia.-mm	Φ40~Φ50

Install Sketch



Kenbotong Communication LTD.

Addr : Kenbotong Technology Park, No.2 Chanxiu Road, Foshan, Guangdong, China 528061
 Tel: +86-757-82219788, 82126632 Fax: +86-757-82212072
 Email: kbt@kenbotong.com web: <http://www.kenbotong.com>