

TDJ-2400BKC11

2.4GHz Flat Antenna

Technical Sheet



Applications

- 2.4 GHz ISM Band
- 2.4GHz Spread Spectrum Communications

System

- WiFi System
- Point to Point or Point to Multipoint System

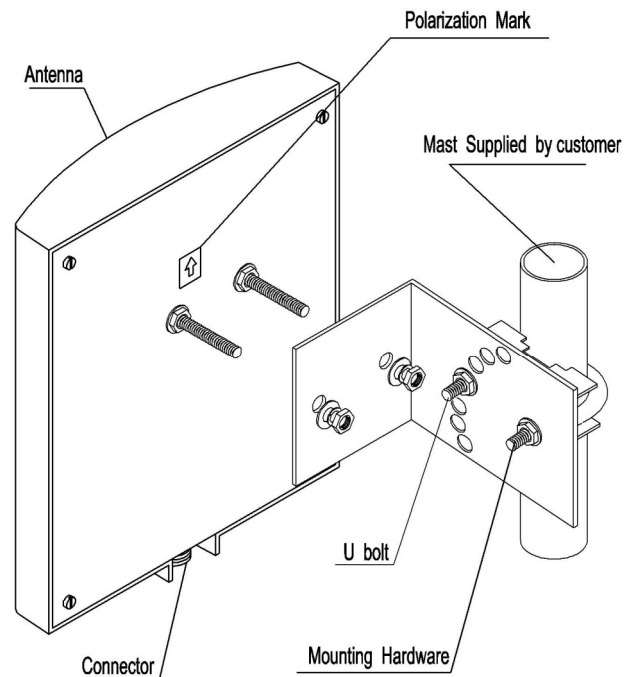
Features

- Low VSWR
- Compact Size, Good Appearance
- All Weather Operation
- Designed by Broadband Technology

Specifications

Model	TDJ-2400BKC11
Freq.Range-MHz	2400~2483
Bandwidth-MHz	83
Gain-dBi	11
Hor.Beamwidth-°	60
Ver.Beamwidth-°	30
VSWR	≤1.5
Impedance-Ω	50
Polarization	Vertical
Max.Power-W	50
Connector	N Female or customized
Dimension-mm	210×190×45
Weight-Kg	0.8
Mounting way	Mast

Installation Sketch



Kenbotong Communication LTD.

Addr: Kenbotong Technology Park, No2. Chanxiu Road, Foshan, Guangdong, China 528061

Tel: +86-757-82219788, 82126632 Fax: +86-757-82212072

Email: kbt@kenbotong.com web: <http://www.kenbotong.com>