

TDJ-1200C12

Yagi Directional Antenna

Technical Sheet



Applications

- 1200MHz system
- Mobile video receiving antenna
- 1.2GHz image transmission system

Features

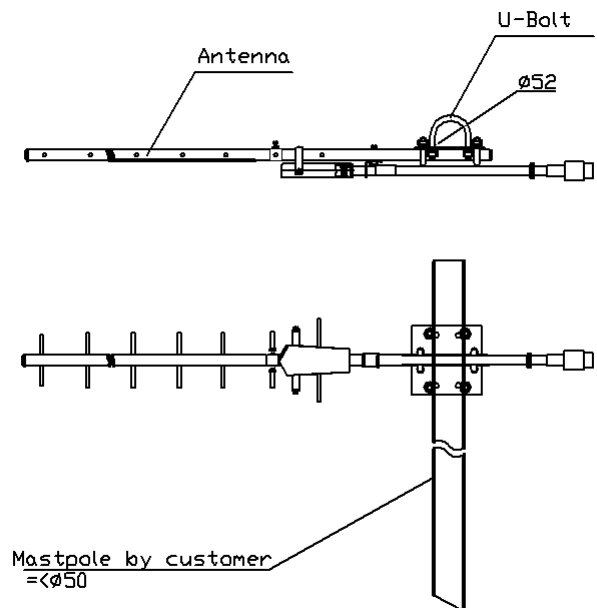
- Small size, Low VSWR
- Vertical or horizontal polarization
- Fixed with mast
- Supplied with mast mounting bracket

Note: The picture is for reference only, please kindly consult with the real product.

Specifications

Model	TDJ-1200C12
Freq.Range-MHz	1120 to 1200
Bandwidth-MHz	80
Gain-dBi	12
Beamwidth-°	E:32 H:36
VSWR	≤1.5
F/B Ratio-dB	≥18
Impedance-Ω	50
Polarization	Vertical or Horizontal
Max.Power-W	100
Connector	N female or customized
Length-m	1.05
Weight-Kg	0.9
Mast Diameter-mm	φ 40 to 50
Rated Wind Velocity —m/s	60
Note: The length and weight are for reference only, please kindly consult with the real product.	

Installation Sketch



Kenbotong Communication LTD.

Addr: Kenbotong Technology Park, No2. Chanxiu Road, Foshan, Guangdong, China 528061

Tel: +86-757-82219788, 82126632 Fax: +86-757-82212072

Email: kbt@kenbotong.com web: <http://www.kenbotong.com>