

TBJ-400A4G

Yagi Antenna

Technical Sheet

Applications

- 450MHz~ 470MHz Band
- Long-distance Terminal Antenna

Features

- High Gain, Low VSWR
- High Quality Stainless Steel Material
- All Weather Operation
- N Female with a Pigtail or Customized
- Vertical or Horizontal Polarization



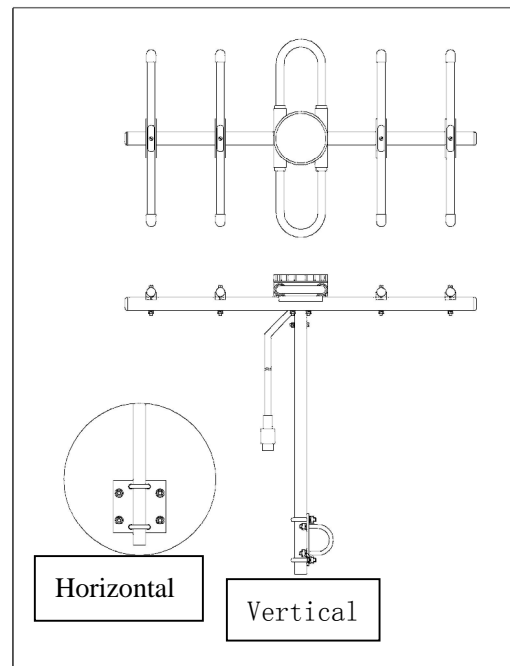
Vertical

Horizontal

Specifications

Model	TBJ-400A4G
Elements	5
Freq.Range-MHz	450~470
Bandwidth-MHz	20
Gain-dBi	4.5
VSWR	≤1.5
Ver.Beamwidth-°	66
Hor.Beamwidth-°	92
Impedance-Ω	50
Polarization	Vertical or Horizontal
Max.Power-W	100
Connector	N Female or Customized
Length-cm	52
Weight-Kg	0.76
Pole Diameter-mm	φ 20~30

Installation Sketch



Kenbotong Communication LTD.

Add : NO.2 Chanxiu Road, Foshan City, Guangdong China
 Code:528061 Tel : 86(757)8202-5597 8221-9788, Fax :
 86(757)8221-2072,8802-2808 Email: kbt@kenbotong.com web:
<http://www.kenbotong.com>