

KDP3-T5158G19VT0

MIMO Directional Antenna



Applications

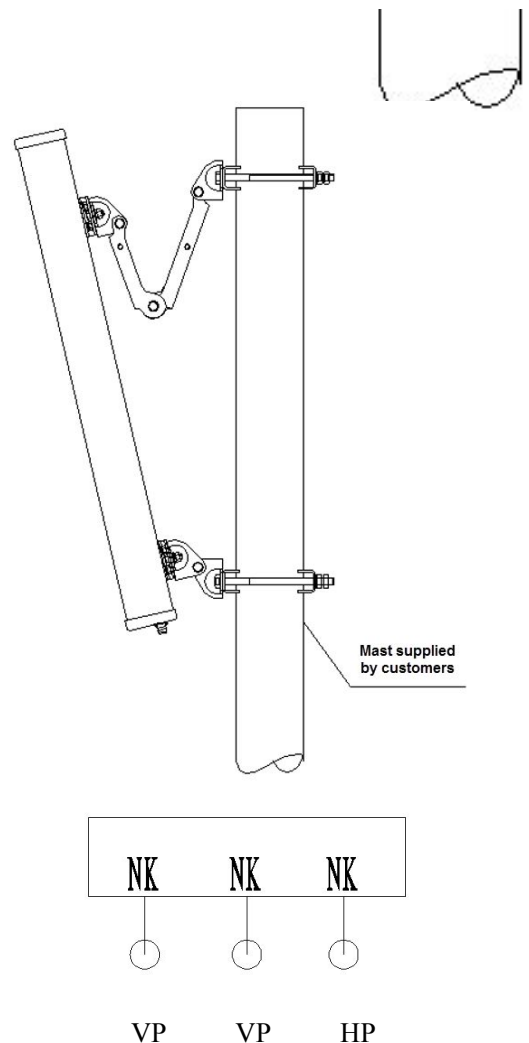
- 5.8 GHz WLAN MIMO system
- Support IEEE802.11n
- Long Distance transmission system

Features

- MIMO Directional Antenna
- High Gain、Low VSWR
- Compact size, Light weight
- Supplied with down-tilt bracket

Specifications

| | |
|------------------|--|
| Model | KDP3-T5158G19VT0 |
| Freq.Range-MHz | 5150~5850 |
| Gain-dBi | 3×19 |
| VSWR | ≤2 |
| Hor.Beamwidth-° | 60 |
| Ver.Beamwidth-° | 4 |
| Isolation-dB | ≥25 |
| F/B Ratio-dB | ≥22 |
| Impedance-Ω | 50 |
| Polarization | 2×V+H |
| Max.Power-W | 50 |
| Connector | 3×N Female |
| Dimension-mm | 1000×280×80 |
| Weight-kg | 4.5(without bracket) |
| Mast Diameter-mm | Φ50~Φ114 (Mast supplied by customers) |



Kenbotong Technology Co., Ltd.

Addr :NO.2 Chanxiu Road ,Foshan city,Guangdong China Code:528061
Tel: 86(757)8202-5597, 8221-9788 Fax : 86(757)8221-2072,8802-2808
Email: kbt@kenbotong.com web: <http://www.kenbotong.com>