

TQJ-150Q9

4-Element Dipole Array Antennas

Technical Sheet



Applications

- 150MHz TETRA Communications
- Wireless Paging System
- Wireless Data transmission system
- Wireless Video System

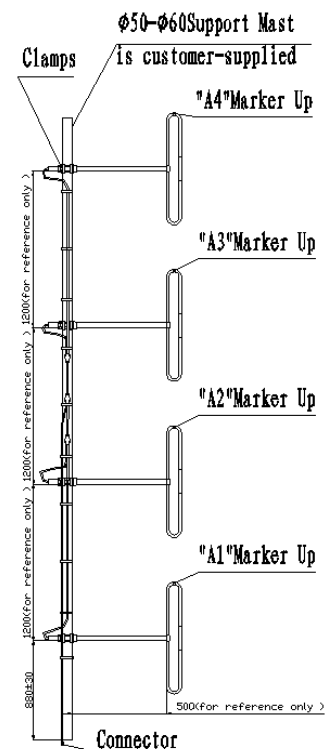
Features

- Broad Band, Low VSWR
- High Gain
- 4-element dipole array antennas
- 300W High Power
- Pattern Adjustable Offset circular, cardioids, or bidirectional

Specifications

Model	TQJ-150Q9
Freq.Range -MHz	144~174
Bandwidth -MHz	30
Gain -dBi	Omni 8.15 bidirectional or Directional 11.2
Ver.Beamwidth -°	18
VSWR	≤1.5
Impedance-Ω	50
Max.Power-W	300
Polarization	Vertical
Connector	N Female or 7/16DIN
Dimensions(H×D)-mm	4953x900
Weight(antenna+clamps)-Kg	13
Lightning Protection	DC Grounded
Wind rating -m/s	60
Support mast is customer-supplied	

Installation Sketch



(Harness not shown) Support mast is customer-supplied



Kenbotong Technology Co., Ltd.

Addr :NO.2 Chanxiu Road ,Foshan city,Guangdong China Code:528061
Tel: 86(757)8202-5597, 8221-9788 Fax : 86(757)8221-2072,8802-2808
Email: kbt@kenbotong.com web: http://www.kenbotong.com