

TQJ-D2400Q13-1

Dual polarization Omni Antenna

Technical Sheet



Applications

- 2.4GHz WLAN system
- 2.4GHz Wi-Fi system
- 2.4GHz ISM Band
- Multipoint coverage

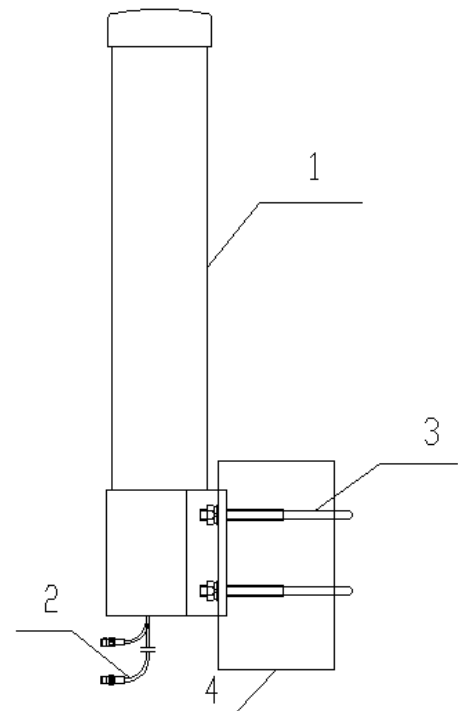
Features

- Dual polarization
- High gain, Low VSWR
- Strong corrosion resistance ability

Specification

Model	TQJ-D2400Q13-1
Freq.Range-MHz	2400 to 2500
Bandwidth-MHz	100
Gain-dBi	13
Hor.Beamwidth-°	360
Ver.Beamwidth-°	7
VSWR	≤1.8
Isolation-dB	≥28
Max.power-W	50
Impedance-Ω	50
Polarization	Vertical and Horizontal
Connector	2 x N Female
Weight-kg	2.5
Dimensions-mm	Φ76×1150
Mounting	Pole
Mast Diameter-mm	Φ50 to Φ80
Rated wind velocity (m/s)	60
Remark: cable extends from the bottom of the antenna.(The cable length can be customized)	

Installation sketch



- 1、Antenna 2、Connector
3、Bracket 4、Mast supplied by customers



Kenbotong Communication LTD

Addr :NO.2 Chanxiu Road ,Foshan city,Guangdong China Code:528061
Tel: 86(757)8202-5597, 8221-9788 Fax : 86(757)8221-2072,8802-2808
Email: kbt@kenbotong.com web: <http://www.kenbotong.com>