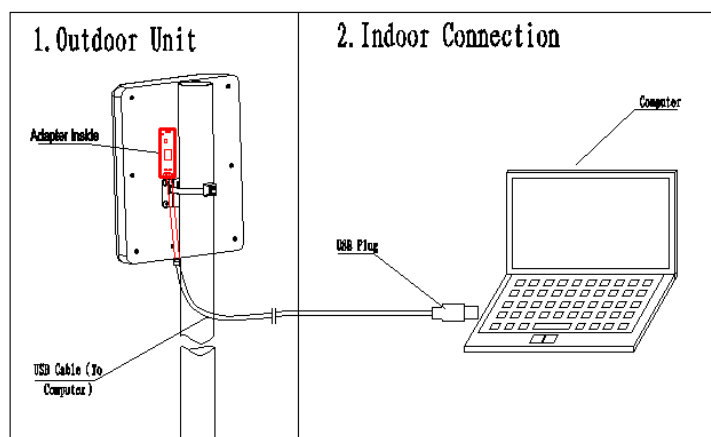


2.4G Outdoor Wireless Adapter

Specification Sheet

KM222Y Series/Integrative



Features

1. Support IEEE 802.11BGN, Highspeed Access
2. Integrative Design, No Signal Loss
3. High-gain Panel Antenna for Long Distance Communication
4. High Tx Power
5. WEP, WPA, WPA2, TKIP, AES
6. IP55 Proof
7. Pole-mount, Wall-mount



Applications

1. Long Distance Wireless Access
2. Countryside
3. Suburban Area
4. Village Far Away from AP

Main Performance

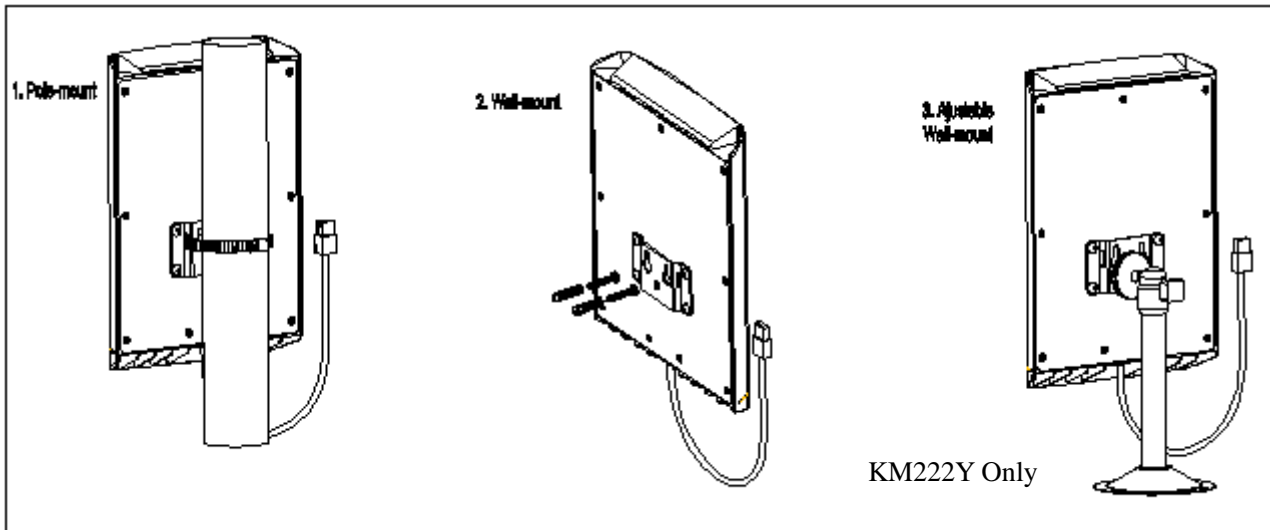
Wireless Module		Antenna	
Frequency	2412~2483.5MHz	Frequency	2400~2500MHz
Protocol	IEEE802.11b/g/n	Gain	14dBi
Modulation	OFDM/CCK/16-QAM/64-QAM	Polarization	Vertical
Data Rate	11n: 150Mbps Max.	Beamwidth	30*30 degree
	11g:6/9/12/24/36/48/54Mbps	Overall Spec.	
	11b:1/2/5.5/11Mbps	Interface	USB2.0 type A Plug
Tx Power	17dBm,802.11g; 20dBm,802.11b	Cable Length	10m, 5m
Sensitive (Typical)	135M:-75dBm@10%PER	Power Supply	USB 2.0
	54M:-75dBm@10%PER	Consumption	5V/200mA (max.)
	11M:-88dBm@8%PER	Installation	Pole-mount, Wall-mount
Security	WEP,WPA/WPA2,WPA-PSK/WPA2-PSK	Work Temp.	-30~60℃
OS. Support	Window XP, Win7/8, 32/64, linux, mac	Humidity	10%-90%
Work Mode	Client(Ad-Hoc, Infrastructure); Soft AP	Water Proof	IP55
Management	Wireless Lan Utility		

Selection

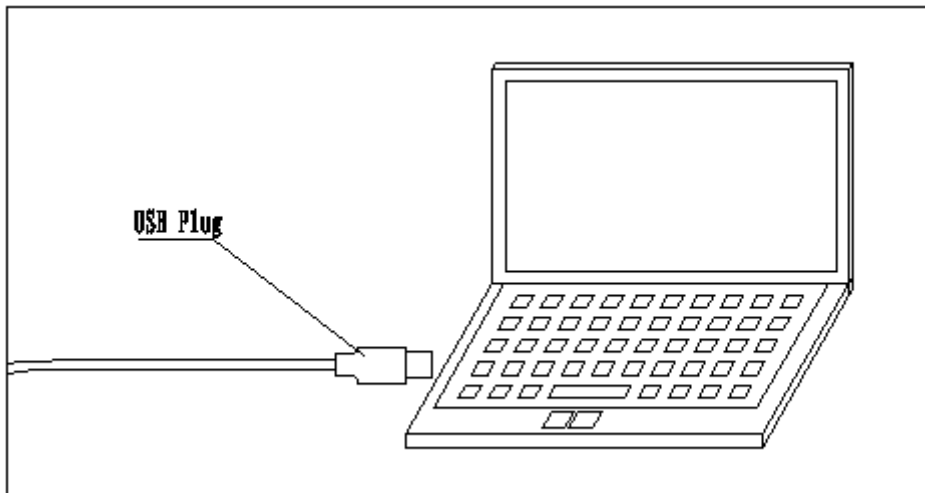
Model No	Description	Appearance	Dimension(mm)	Mounting Kits	Optional Parts
KM222Y	Standard Edition		240*181*28	Cable Tie, expansion screws	USB Protector, USB Power Supplier
KM222Y1	Low Cost Edition		190*190*40	Cable Tie, expansion screws	USB Protector, USB Power Supplier

Installation:

1. Outdoor Installation(Selection one of the following)



2. Indoor Connection



Insert USB Plug to an empty USB socket.

3. Software Installation

Refer to <Quick Install Manual>

Notes:

1. USB Protector, USB Power Supplier are Optional parts.
2. To be protecting from lightening, make sure to ground the antenna shield. One solution is grounded through the mast-pole.
3. To avoid destroying the device or human being, we suggest plugging the adapter away from the computer.



Kenbotong Communication Ltd

Addr :NO.2 Chanxiu Road ,Foshan city,Guangdong China Code:528061
 Tel: 86(757)8202-5597, 8221-9788 Fax : 86(757)8221-2072,8802-2808
 Email: kbt@kenbotong.com web: <http://www.kenbotong.com>